

**INSTRUCTIONS FOR STEM LENGTH
ADJUSTMENT AND PROPORTIONAL BAND**



DIFFERENTIAL PRESSURE PILOT CONTROLLERS

UDRVP ADJUSTABLE PROPORTIONAL BAND TYPE

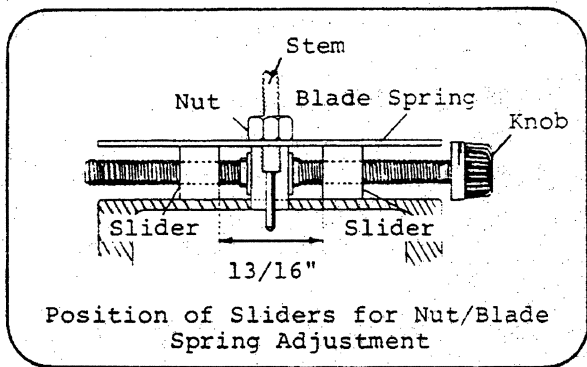
ADJUSTMENT PROCEDURE

Supply 20-22 psig operating pressure to the pilot controller. Turn adjusting nut to compress adjusting spring to set upper diaphragm against its top limit stop. If possible, remove fluid pressure from top of diaphragm, if not compress spring sufficiently to overcome fluid pressure and move diaphragm to stop.

Adjust sliders 13/16" apart as shown in sketch below. Move proportional band nut upward on adjusting pin thread sufficiently to keep nut from touching blade spring during stem length adjustment. Loosen adjusting pin set screw and turn adjusting pin either up or down until pilot air output is 21 psig. Then turn adjusting pin downward toward pilot body until pilot air output decreases from 21 to 0 psig. Lock set screw. Turn proportional band nut down against blade spring until air output pressure increases from 0 to 3 psig. With pin in stem hole to keep stem from turning, loosen set screw and turn adjusting pin upward away from pilot body approximately 1-1/2 turns. Lock set screw.

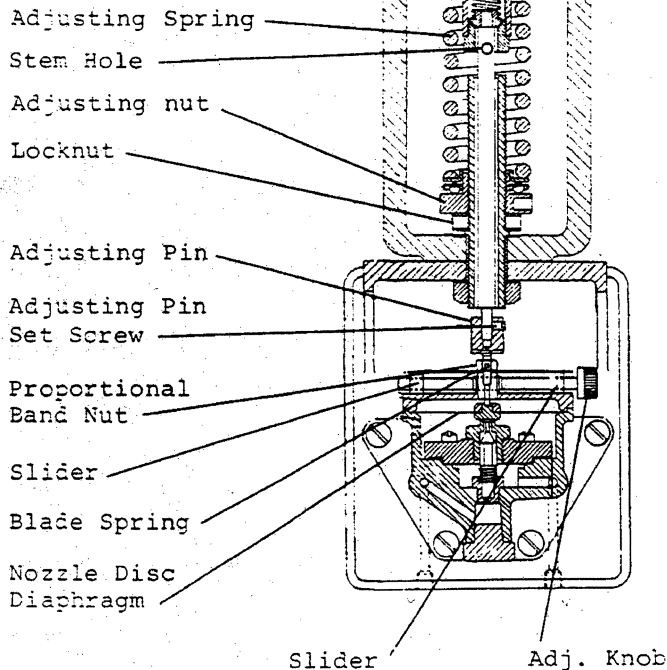
Type UDRVP (Bi-directional - Differential)

| | | |
|--|---------------------|---------|
| High pressure at Conn. "A" Adj. Diff. - 0-100 PSI | | |
| High pressure at Conn. "B" Adj. Diff. - 0-35 PSI | | |
| Adjustable Proportional Band PSI | Static Pressure PSI | |
| | 20 | 300 |
| | Min. 1 | Min. 2 |
| | Max. 8 | Max. 10 |
| Maximum static pressure on either Conn. "A" or "B" - 600 PSI | | |



Position of sliders for Maximum/Minimum bands, pilot ranges and proportional bands.

| | | |
|--------------------------------------|------------------|------------------|
| Approximate distance between sliders | Min. Band 2-3/4" | Max. Band 13/16" |
|--------------------------------------|------------------|------------------|



Play safe! Use only genuine Leslie replacement parts.



LESLIE CONTROLS, INC., TAMPA, FL 33637

A subsidiary of CIRCOR International, Inc.
12501 Telecom Drive • Tampa, FL 33637-0906