



Instructions for Stem Length Adjustment and Proportional Band

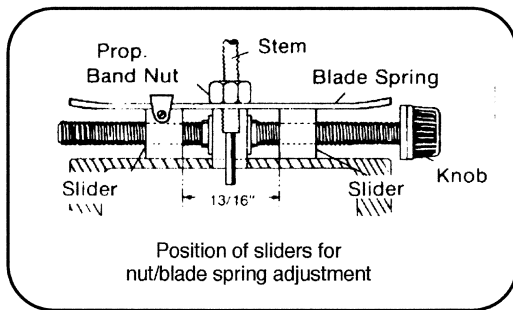
DIFFERENTIAL PRESSURE PILOT CONTROLLERS

UDDVP ADJUSTABLE PROPORTIONAL BAND TYPE

ADJUSTMENT PROCEDURE

Supply 20-22 psig operating pressure to the pilot controller. Turn adjusting nut to compress adjusting spring to set center diaphragm against its top limit stop. If possible, remove fluid pressure from top of diaphragm. If not, compress spring sufficiently to overcome fluid pressure and move diaphragm to stop.

Adjust sliders 13/16" apart as shown in sketch below. Move proportional bank nut upward on adjusting pin thread sufficiently to keep nut from touching blade spring during stem length adjustment. Loosen adjusting pin set screw and turn adjusting pin either up or down until pilot air output is 0 psig. Then turn adjusting pin downward toward pilot body until pilot air output increases from 0 to 21 psig. Lock set screw, Turn proportional bank nut down against blade spring until air output pressure decreases from 21 to 18 psig. With pin in stem hole to keep stem from turning, loosen set screw and turn adjusting pin upward away from pilot body approximately 1-1/2 turns. Lock set screw.



Position of sliders for Maximum/Minimum bands, pilot ranges and proportional bands

Approximate distance between sliders	Min. Band 2-3/4"	Max. Band 13/16"
--------------------------------------	------------------	------------------

Type UDDVP (Bi-directional - Differential)

High Pressure at Conn. "A" Adj. Diff. - 0-100 PSI	High Pressure at Conn. "B" Adj. Diff. - 0-35 PSI	
Adjustable Proportional Band PSI	Static Pressure PSI	
	20	300
	Min. 1 Max. 8	Min. 2 Max. 10

Maximum static pressure on either Conn. "A" or "B" - 600 PSI

